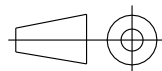
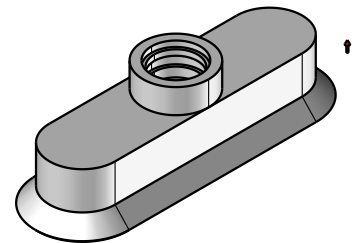
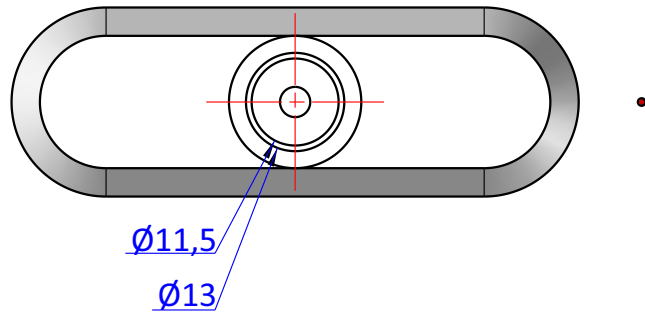
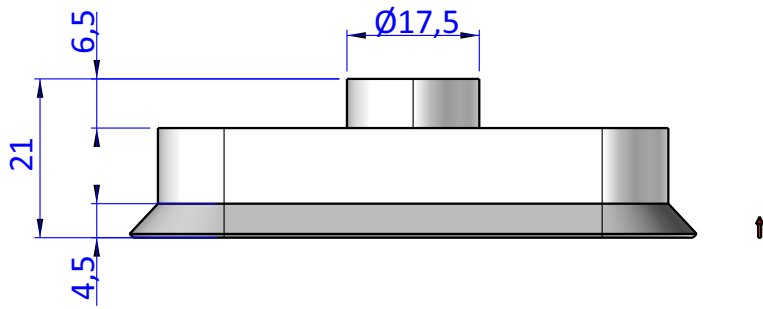
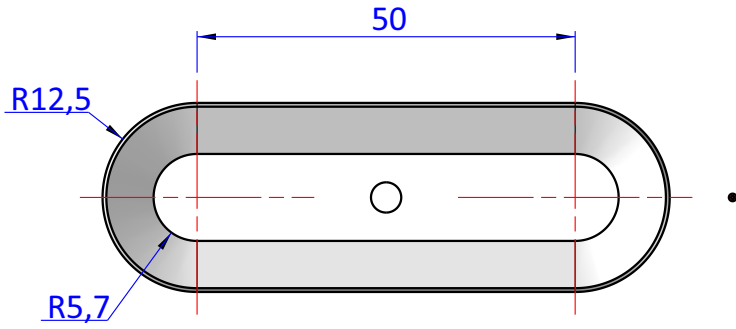


THE PROPERTY OF THE DRAWING IS ESTABLISHED BY LAW. IT IS FORBIDDEN TO PRODUCE OR SHOW IT TO THIRD PART. WITHOUT A WRITTEN AGREEMENT.



|                |        |
|----------------|--------|
| DESIGNED FROM  | REVIEW |
| FPS Automation | A      |

|            |         |
|------------|---------|
| DATE       | WEIGHT  |
| 06/10/2020 | 0,018kg |

|              |
|--------------|
| CODE         |
| CA.08.40.008 |

Format A4

UNI 936-76

GENERAL TOLERANCE  
UNI - ISO 2768  
CLASSE f

DESCRIPTION

CA.08.40.008